

Standard power pack vertical mounting PF type

External gear pump of aluminium or cast iron construction.

Tanks of 12, 16, 30, 55, 75, 100, 180 and 300 lts.

Max. pressure 280 bar.

Oil flow from 0,22 to 125 lts/min.



Standard power pack PF type

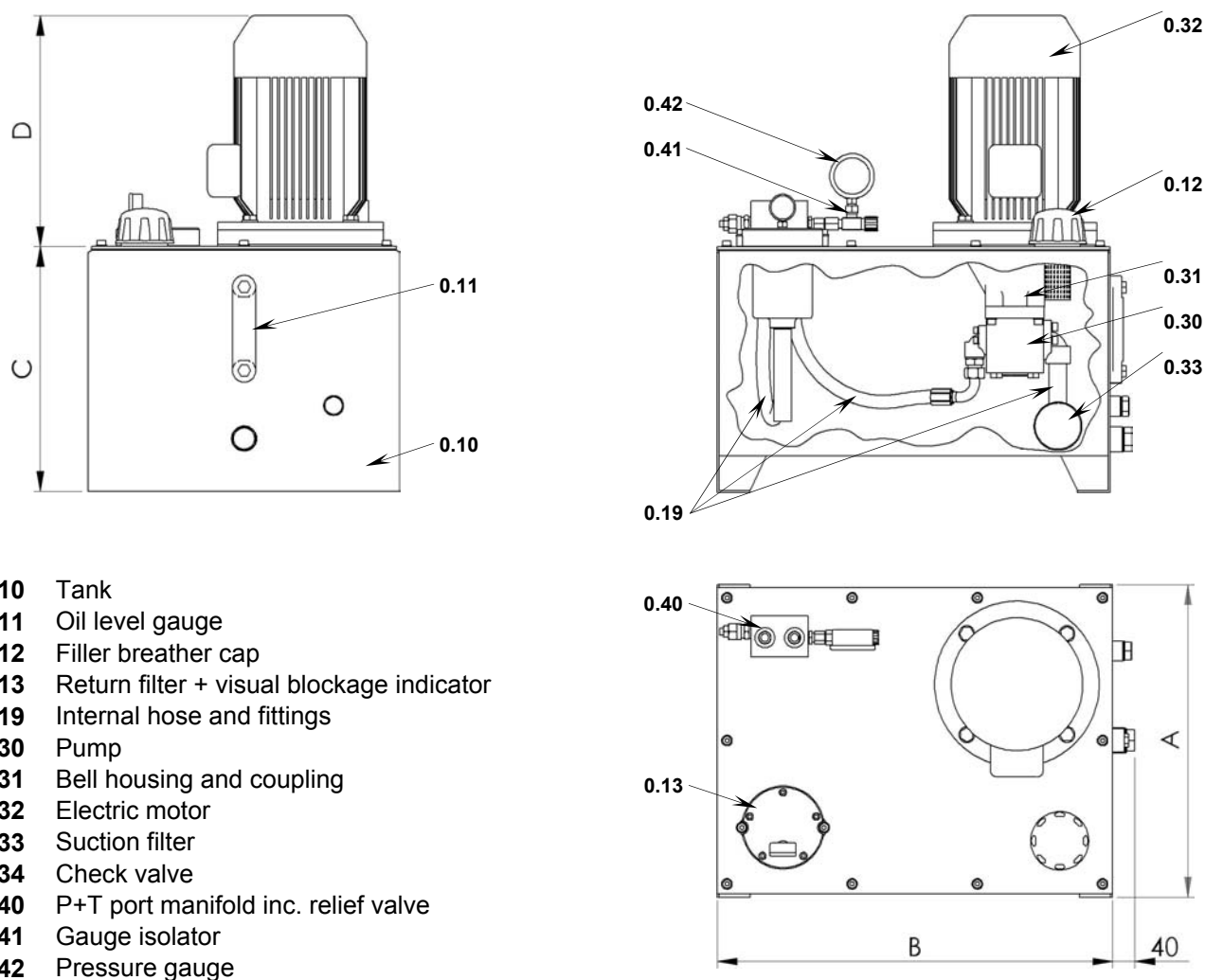
Contents

Description	Page
Features	1
Ordering code	2
Electric motors	2
Layout scheme	3
Hydraulic schematic	4
Pump Selection tables	5
Technical features	8

Features

- Steel or stainless steel tank.
- Electric Motor with vertical axis and submerged pump.
- Aluminium or cast iron bodied pump.
- Easy maintenance thanks to simple and compact design.

Layout of power pack



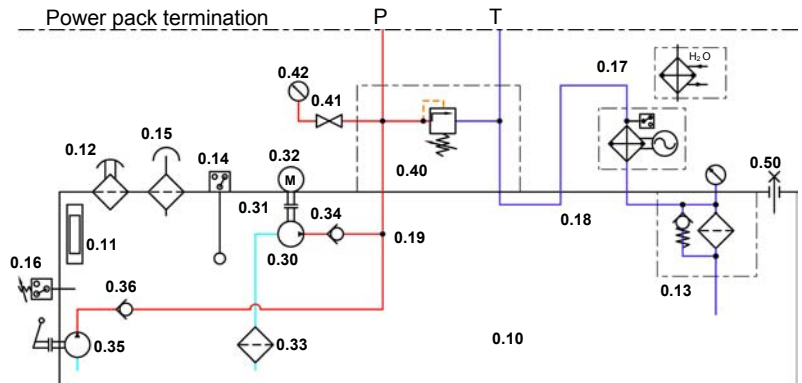
- 0.10 Tank
- 0.11 Oil level gauge
- 0.12 Filler breather cap
- 0.13 Return filter + visual blockage indicator
- 0.19 Internal hose and fittings
- 0.30 Pump
- 0.31 Bell housing and coupling
- 0.32 Electric motor
- 0.33 Suction filter
- 0.34 Check valve
- 0.40 P+T port manifold inc. relief valve
- 0.41 Gauge isolator
- 0.42 Pressure gauge

Tank	A	B	C	D	Pump displacement (flow for a 4 pole motor)
12 lts	335 mm	270 mm	295 mm	from 0,25 kW → 220 mm to 1,5 kW → 288 mm	from 0,17 cc (0,22 lts/min) to 5 cc (6,7 lts/min)
16 lts	410 mm	325 mm	310 mm	from 1,1 kW → 264 mm to 1,5 kW → 288 mm	from 6,3 cc (8,5 lts/min) to 8 cc (11,5 lts/min)
30 lts	470 mm	375 mm	340 mm	from 1,5 kW → 288 mm to 4 kW → 353 mm	from 3,15 cc (4,27 lts/min) to 14 cc (20 lts/min)
55 lts	600 mm	470 mm	370 mm	from 2,2 kW → 322 mm to 7,5 kW → 421 mm	from 6,3 cc (9 lts/min) to 22 cc (30 lts/min)
75 lts	600 mm	470 mm	460 mm	from 4 kW → 353 mm to 7,5 kW → 421 mm	from 20 cc (29 lts/min) to 27 cc (37 lts/min)
100 lts	675 mm	520 mm	510 mm	from 4 kW → 353 mm to 22 kW → 539 mm	from 11,2 cc (15 lts/min) to 34 cc (47 lts/min)
180 lts	805 mm	620 mm	560 mm	from 7,5 kW → 421 mm to 37 kW → 653 mm	from 34 cc (47 lts/min) to 63 cc (87 lts/min)
300 lts	810 mm	800 mm	670 mm	from 15 kW → 496 mm to 37 kW → 653 mm	from 61 cc (84 lts/min) to 90 cc (125 lts/min)

N.B. : Indicated dimensions may change

Hydraulic scheme

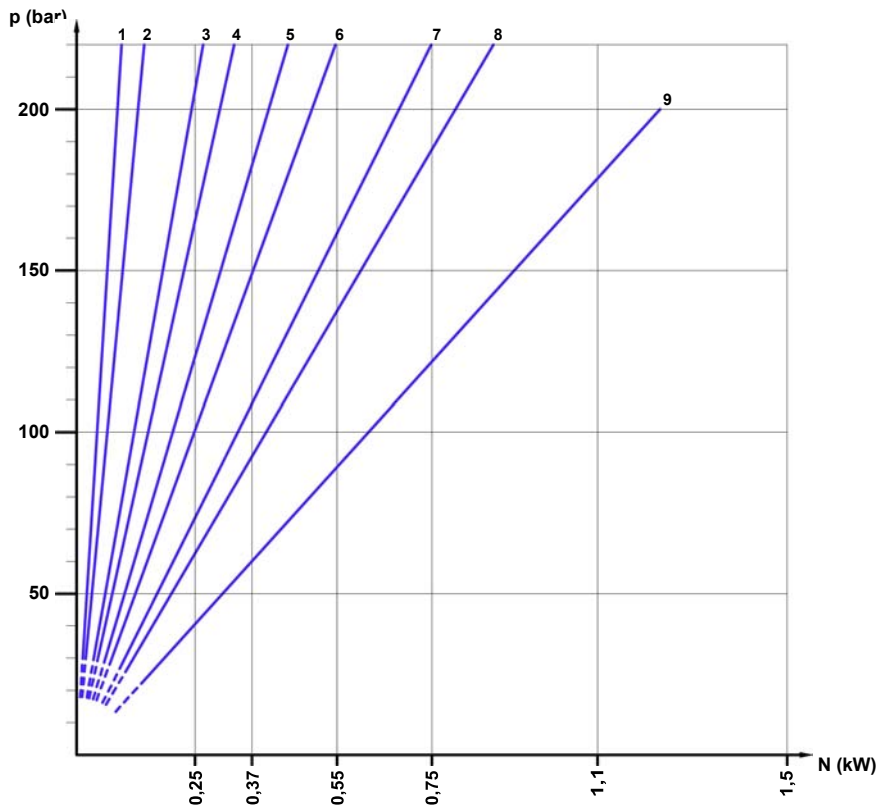
- 0.16 Safety adjustable thermostat (optional)
- 0.17 Air-oil or water-oil cooler (optional)
- 0.18 Hoses kit for cooler (optional)
- 0.19 Internal hoses
- 0.30 Pump
- 0.31 Motor-pump connecting kit
- 0.32 Electric motor
- 0.33 Suction filter
- 0.34 Check valve
- 0.35 Hand pump (optional)
- 0.36 Check valve (optional)
- 0.40 Pressure checking manifold
- 0.41 Gauge isolator
- 0.42 Pressure gauge
- 0.50 Drain port



Pumps

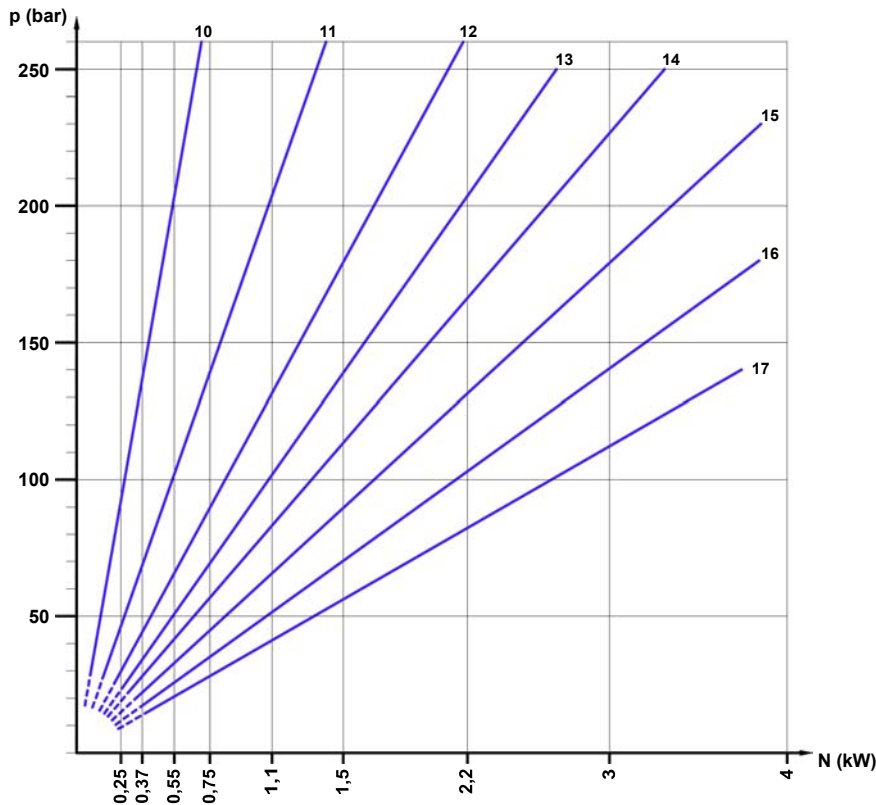
graph line	Type of pump	Flow at 1450 rpm lts/min	Max. pressure (bar)	Type of pump	Flow at 1450 rpm lts/min	Max. pressure (bar)	Type of pump	Flow at 1450 rpm lts/min	Max. pressure (bar)
1	PLP 05.0,17	0,22	220						
2	PLP 05.0,25	0,33	220						
3	PLP 05.0,45	0,62	220						
4	PLP 05.0,57	0,77	220						
5	PLP 05.0,76	1,03	220						
6	PLP 05.0,98	1,27	220						
7	PLP 05.1,27	1,74	220						
8	PLP 05.1,52	2,04	220						
9	PLP 05.2,30	3,14	200						
10	PLP 10.1	1,38	260	WSP 10.1	1,38	260			
11	PLP 10.2	2,76	260	WSP 10.2	2,76	260			
12	PLP 10.3,15	4,27	260	WSP 10.3,15	4,27	260			
13	PLP 10.4	5,5	250	WSP 10.4	5,5	250			
14	PLP 10.5	6,7	250	WSP 10.5	6,7	250			
15	PLP 10.6,3	8,5	230	WSP 10.6,3	8,5	230			
16	PLP 10.8	10,9	180	WSP 10.8	10,9	180			
17	PLP 10.10	13,6	140	WSP 10.10	13,6	140			
18	PLP 20.4	6,6	280	WSP 20.4	6,6	280	KP 20.4	6,8	270
19	PLP 20.6,3	9	280	WSP 20.6,3	9	280	KP 20.6,3	9,1	270
20	PLP 20.8	11,4	280	WSP 20.8	11,4	280	KP 20.8	11,4	270
21	PLP 20.9	12,4	270	WSP 20.9	12,4	270			
22	PLP 20.11,2	15,3	270	WSP 20.11,2	15,3	270	KP 20.11,2	15,5	260
23	PLP 20.14	20	260	WSP 20.14	20	260	KP 20.14	20	260
24	PLP 20.16	23	250	WSP 20.16	23	250	KP 20.16	23	260
25	PLP 20.20	29	200	WSP 20.20	29	200	KP 20.20	29	210
26	PLP 20.25	36	170	WSP 20.25	36	170	KP 20.25	36	180
27	PLP 20.31,5	45	130	WSP 20.31,5	45	130	KP 20.31,5	45	140
28	PLP 30.22	30	250	WSP 30.22	30	250			
29	PLP 30.27	37	250	WSP 30.27	37	250	KP 30.27	37	280
30	PLP 30.34	47	240	WSP 30.34	47	240	KP 30.34	47	260
31	PLP 30.38	53	240	WSP 30.38	53	240	KP 30.38	54	260
32	PLP 30.43	60	230	WSP 30.43	60	230	KP 30.43	60	250
33	PLP 30.51	71	210	WSP 30.51	71	210	KP 30.51	71	230
34							KP 30.56	78	215
35	PLP 30.61	84	190	WSP 30.61	84	190	KP 30.61	84	200
36	PLP 30.73	101	170	WSP 30.73	101	170	KP 30.73	101	180
37	PLP 30.82	112	160	WSP 30.82	112	160			
38	PLP 30.90	125	150	WSP 30.90	125	150			

Pressure – flow - power graph for group 0,5



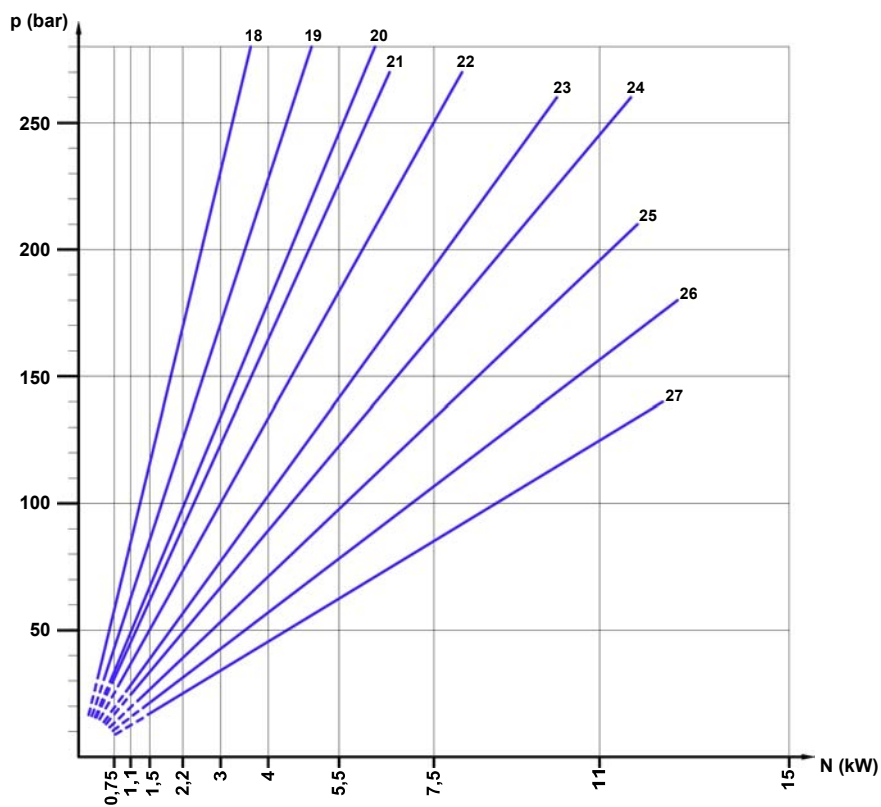
Graph line	Flow at 1450 rpm
	lts/min
1	0,22
2	0,33
3	0,62
4	0,77
5	1,03
6	1,27
7	1,74
8	2,04
9	3,14

Pressure – flow - power graph for group 1



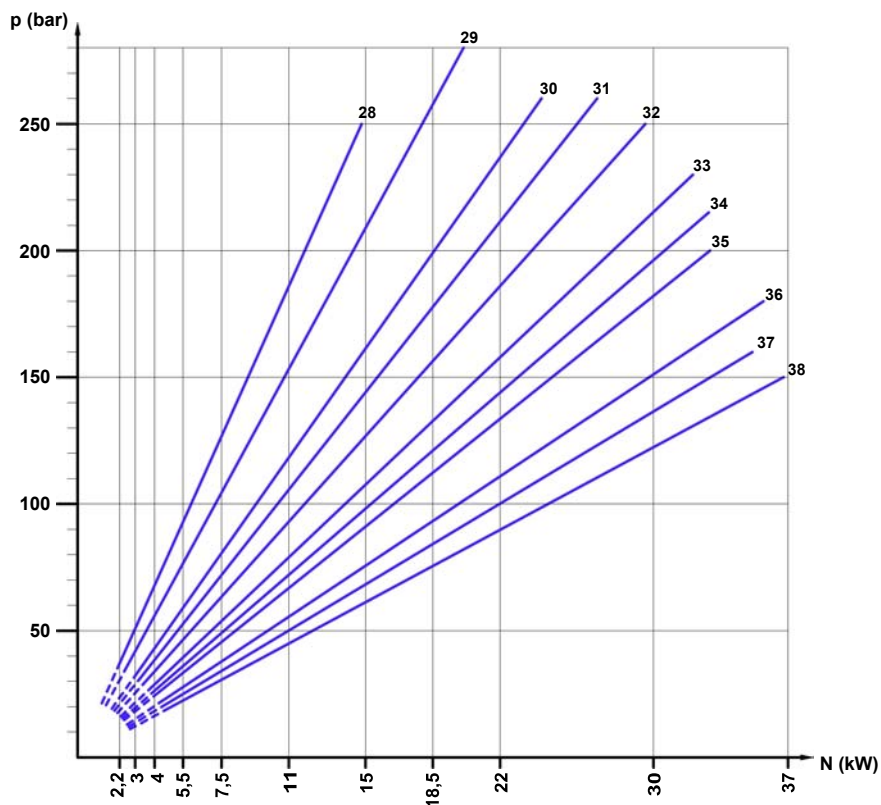
Graph line	Flow at 1450 rpm
	lts/min
10	1,38
11	2,76
12	4,27
13	5,5
14	6,7
15	8,5
16	10,9
17	13,6

Pressure – flow - power graph for group 2



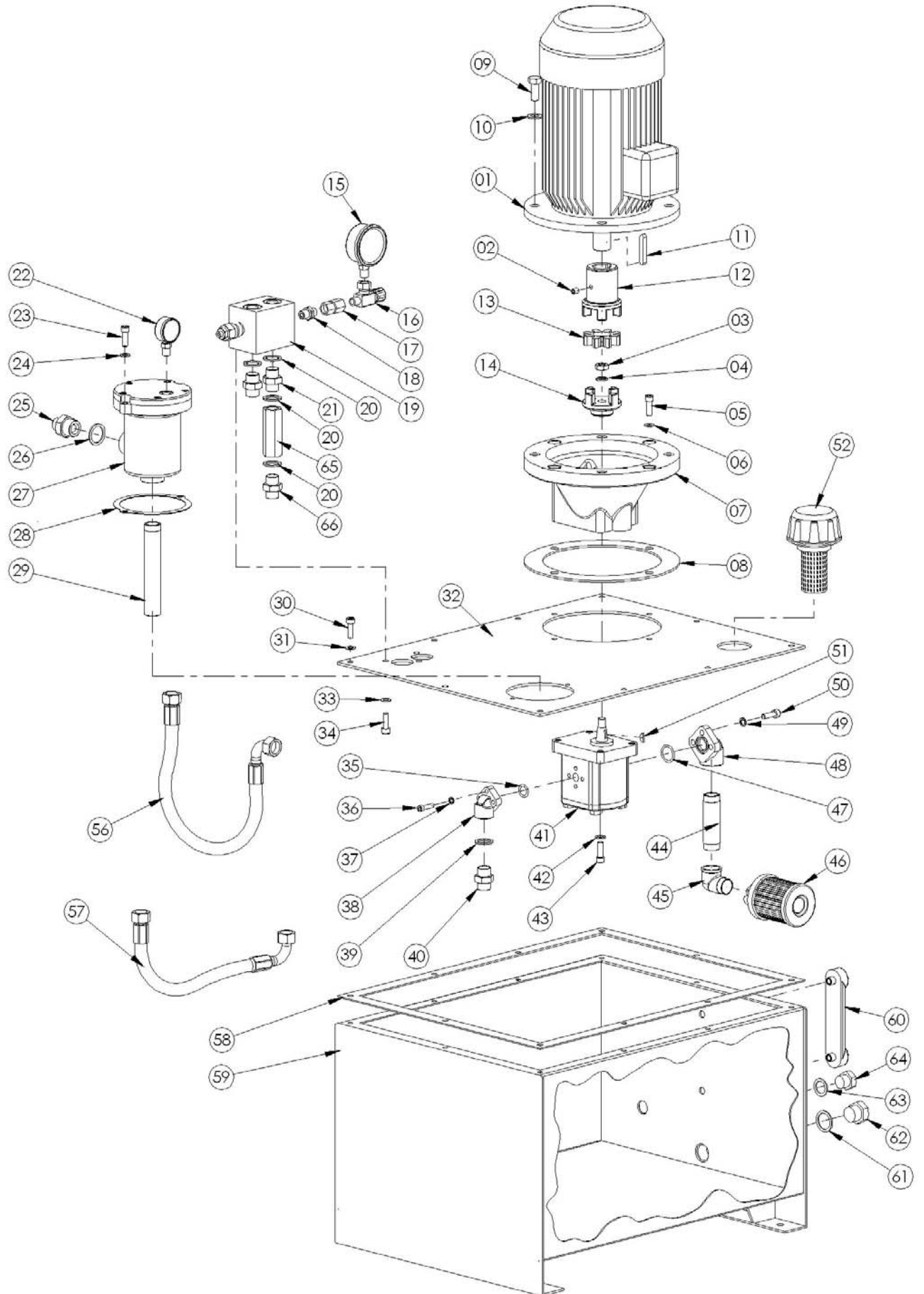
Graph line	Flow at 14 50 rpm
	lts/min
18	6,7
19	9
20	11,4
21	12,4
22	15,4
23	20
24	23
25	29
26	36
27	45

Pressure – flow - power graph for group 3



Graph line	Flow at 14 50 rpm
	lts/min
28	30
29	37
30	47
31	53
32	60
33	71
34	78
35	84
36	101
37	112
38	125

Detailed explode of standard power pack



Parts list of detailed explose of standard power pack

POS.	N.	NAME
01	1	Electric motor
02	1	Screw
03	1	Short nut
04	1	S
05	4	Cil. Headed screw with encased hexagon
06	4	Washer
07	1	Bell housing
08	1	Bell housing - cover seal
09	4	Screw with external hexagon
10	4	Washer
11	1	Spline
12	1	Motor coupling
13	1	Elastic ring
14	1	Pump coupling
15	1	Pressure gauge Ø63
16	1	Gauge isolator
17	1	Coupling VBDKO
18	1	Coupling A
19	1	Manifold
20	4	Bonder washer
21	2	Nipple
22	1	Pressure gauge Ø40
23	2	Cil. Headed screw with encased hexagon
24	4	Washer
25	1	Reduction M-M 3/4"-1/2"
26	1	Bonder washer
27	1	Return filter
28	1	Filter cover seal
29	1	Filter drain hose
30	10	Cil. Headed screw with encased hexagon
31	10	Washer
32	1	Cover
33	3	Cil. Headed screw with encased hexagon
34	3	Rosetta
35	1	O-ring
36	3	Cil. Headed screw with encased hexagon
37	3	Broken washer
38	1	Outlet connector
39	1	Bonder washer
40	1	Nipple
41	1	Pump
42	4	Washer
43	4	Cil. Headed screw with encased hexagon
44	1	Suction piece of hose
45	1	90° curve
46	1	Suction filter
47	1	O-ring
48	1	Suction coupling
49	3	Cil. Headed screw with encased hexagon
50	3	Broken washer
51	1	Disc spline
52	1	Filler and breather unit
56	1	Return flexible hose
57	1	Line flexible hose
58	1	Tank cover seal
59	1	Tank
60	1	Oil level gauge
61	1	Bonder washer
62	1	External hexagon plug
63	1	Bonder washer
64	1	External hexagon plug
65	1	Check valve
66	1	Nipple